

pop easy/square - Bench



X 2
 20 min
 4 mm
 10 mm

| | | | | | | | | | |
|---------------------------|------------------|------------------|---------|------------------|---------|------------|---------|---------|---------|
| | | | | | | | | | |
| | 141.263 | 141.262 | 141.150 | 141.269 | 165.094 | 187.976 ZN | 1846014 | 187.915 | 165.049 |
| BENCH (01-06) | EA X 6 PQ X 2 | EA X 6 PQ X 2 | PQ X 4 | PA X 4 PW X 4 | X 32 | X 32 | X 16 | X 32 | - |
| METAL PROFILE (07-08) | - | - | - | - | - | X 4 | - | - | X 4 |

01A

POP EASY LEG

X 2
 X 2

M10

01B

POP SQUARE LEG

X 2

M8

01C

POP ACE LEG

X 4

M8

01D

POP WOODY LEG

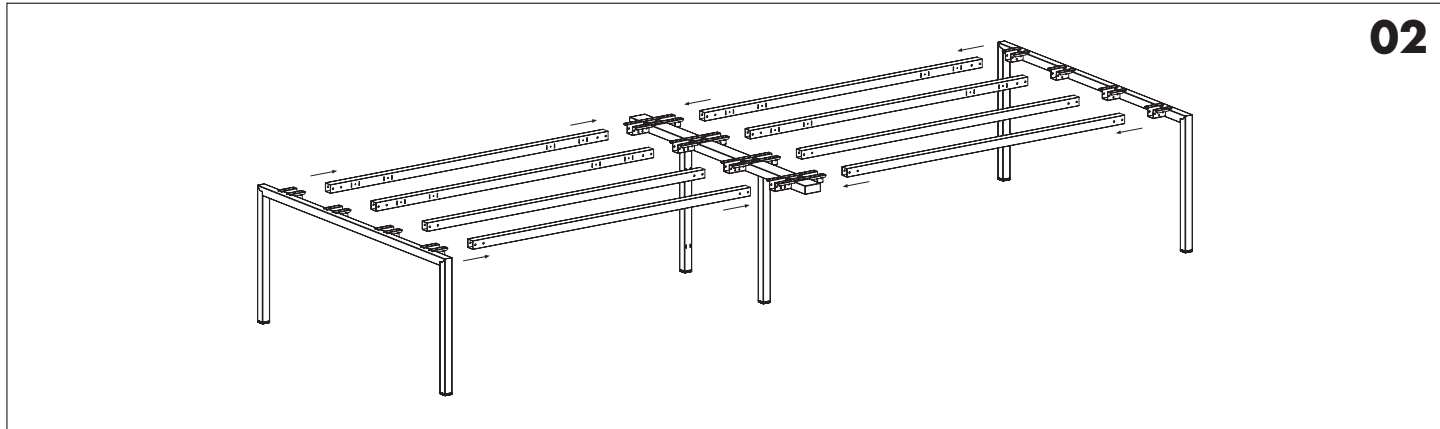
X 4

M8

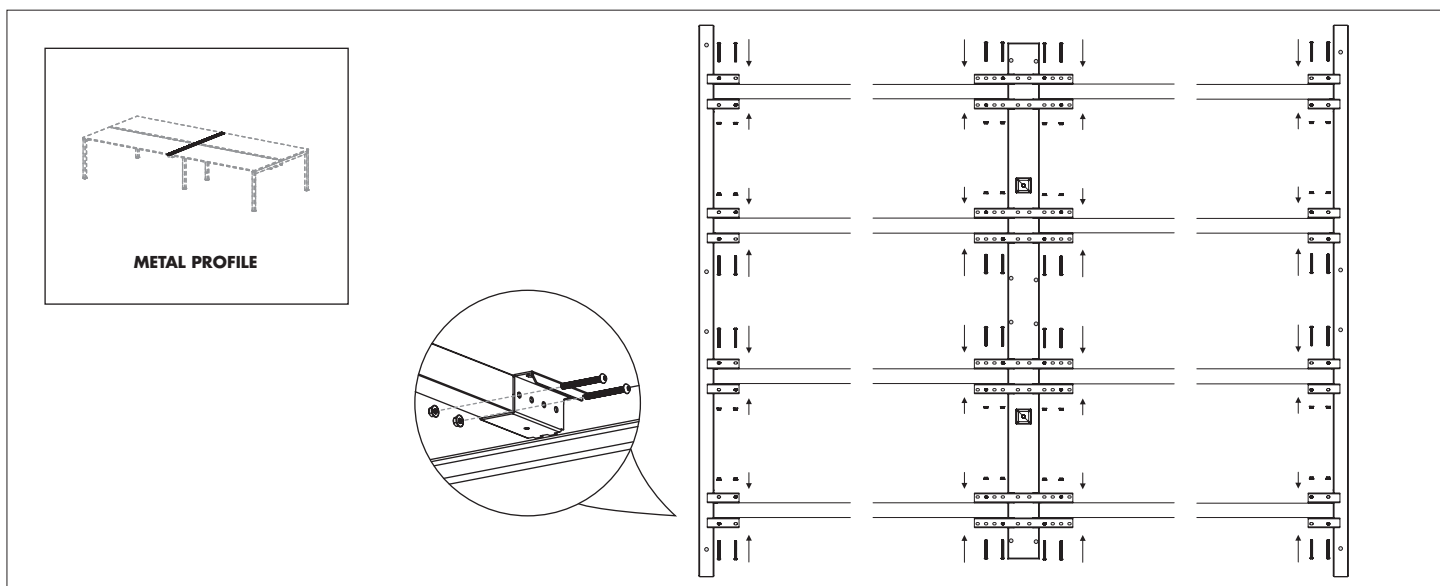
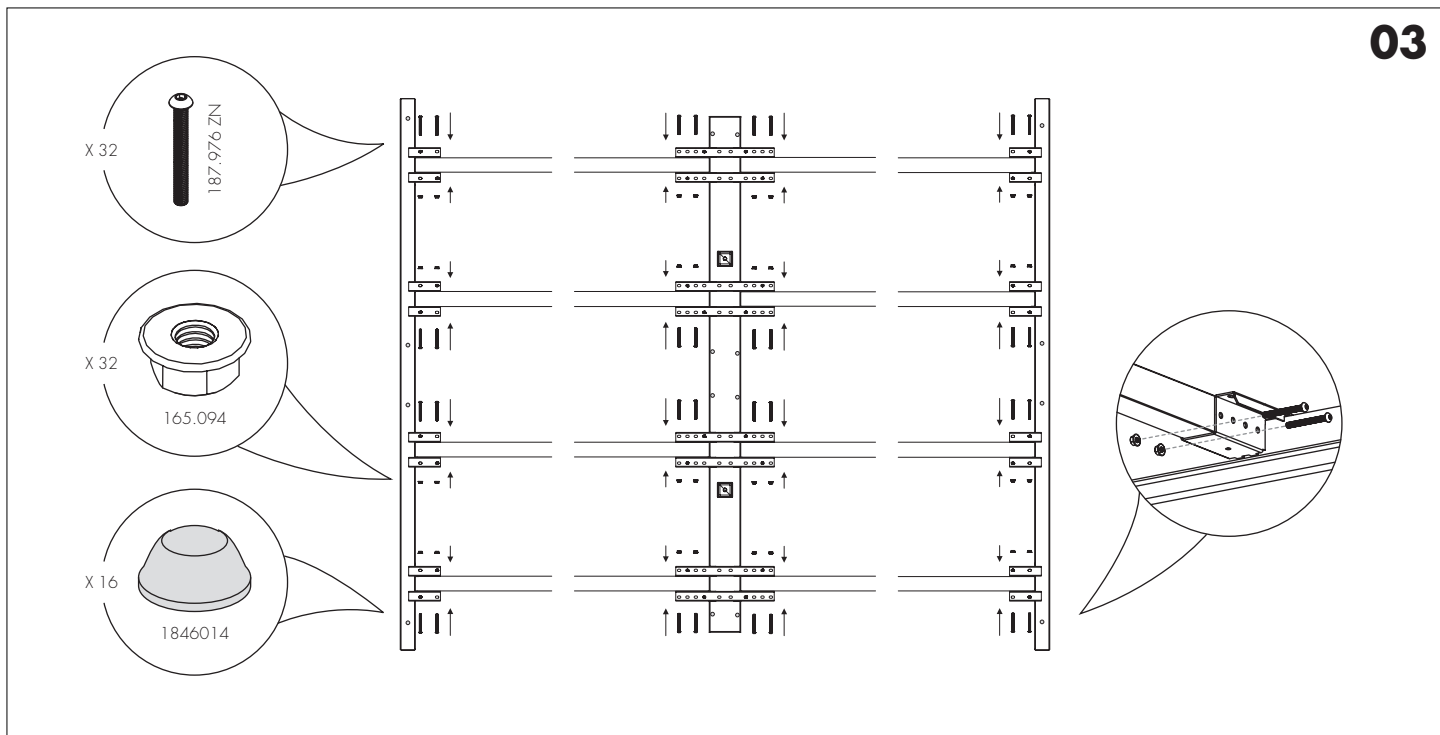
pop easy/square - Bench

FREZZA[®]

02

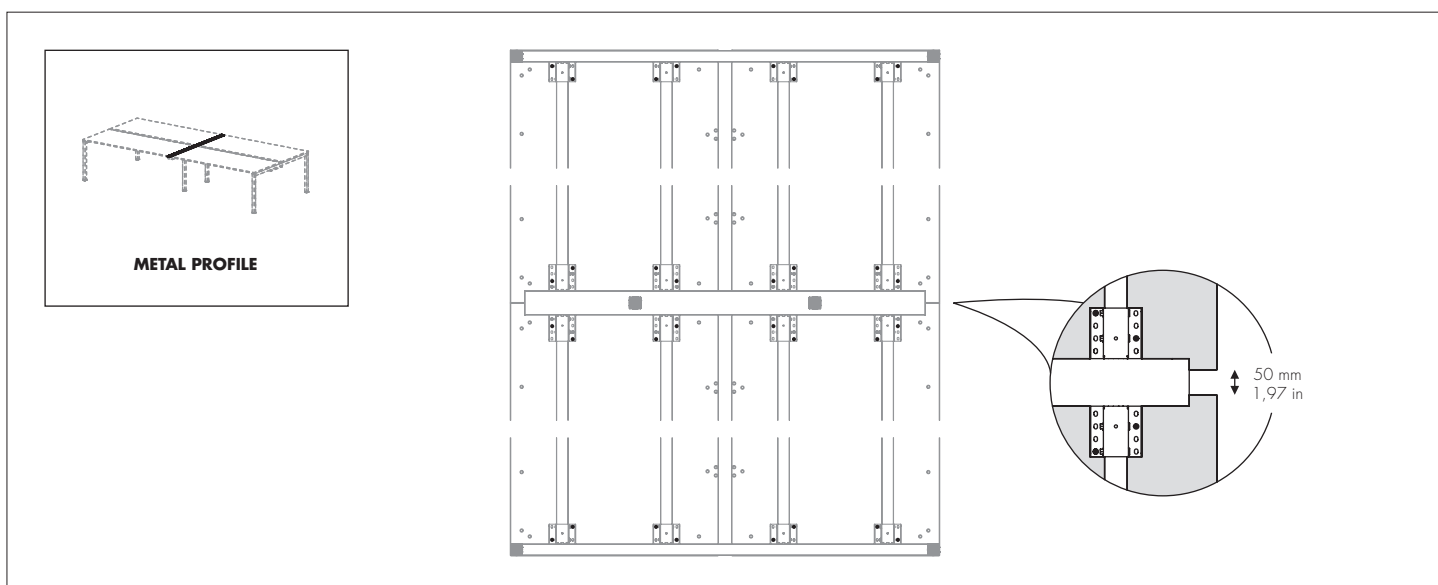
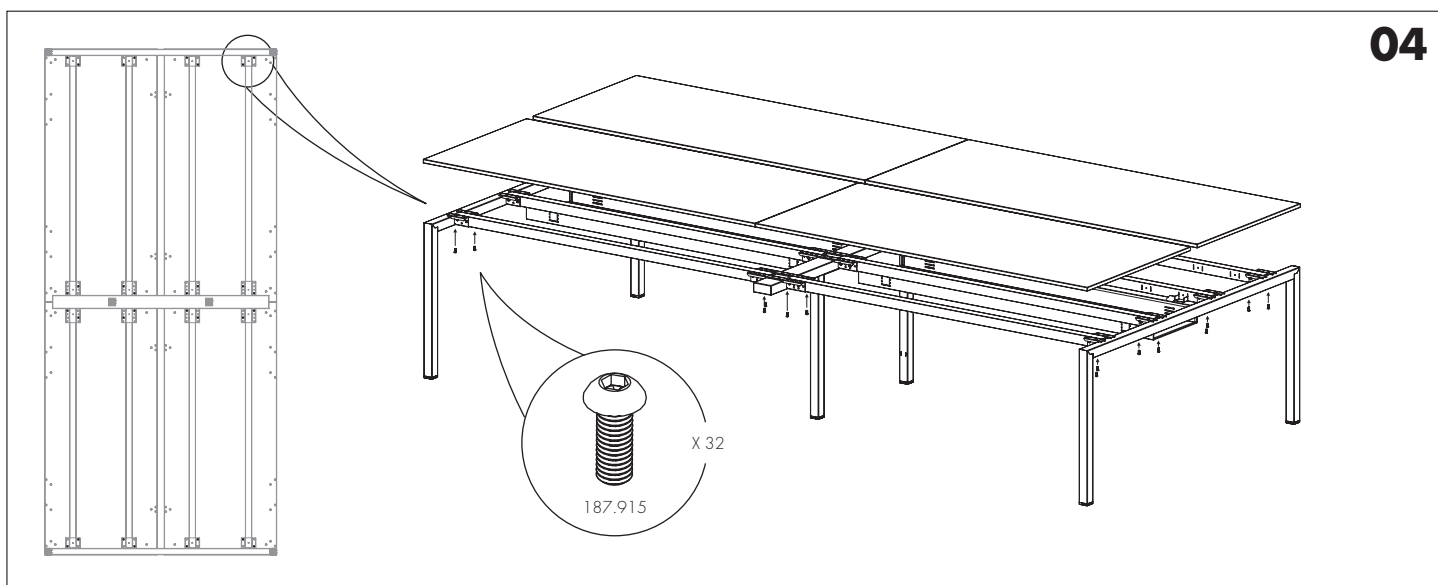
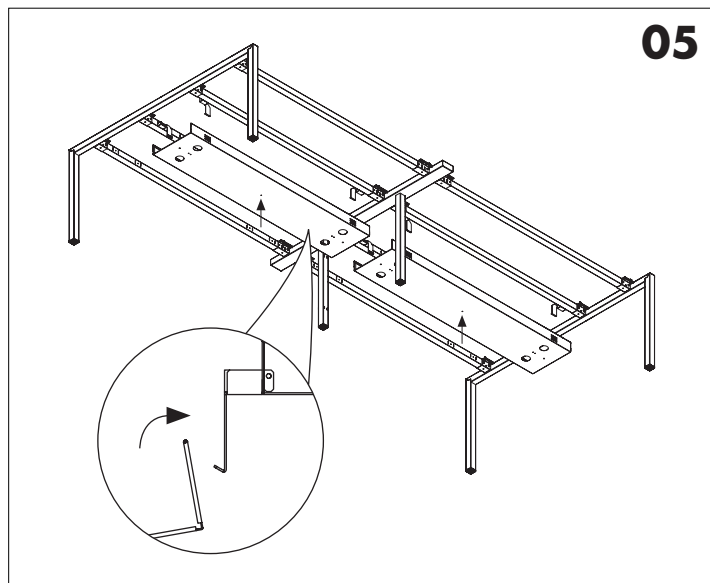
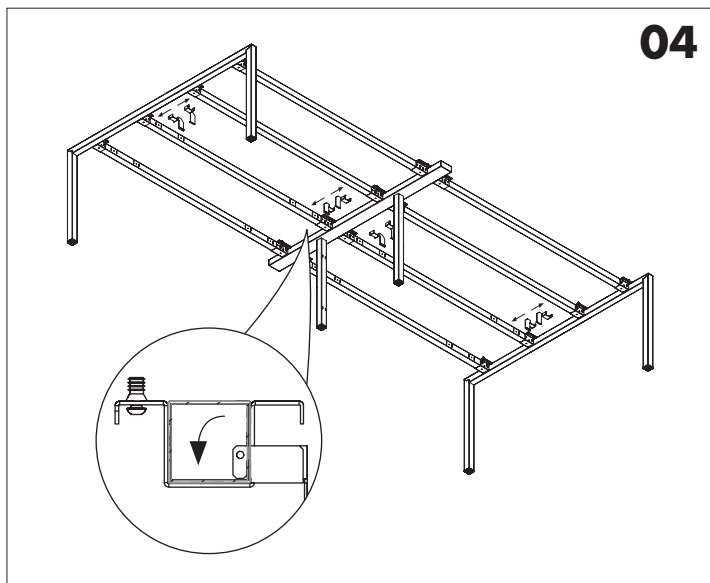


03



pop easy/square - Bench

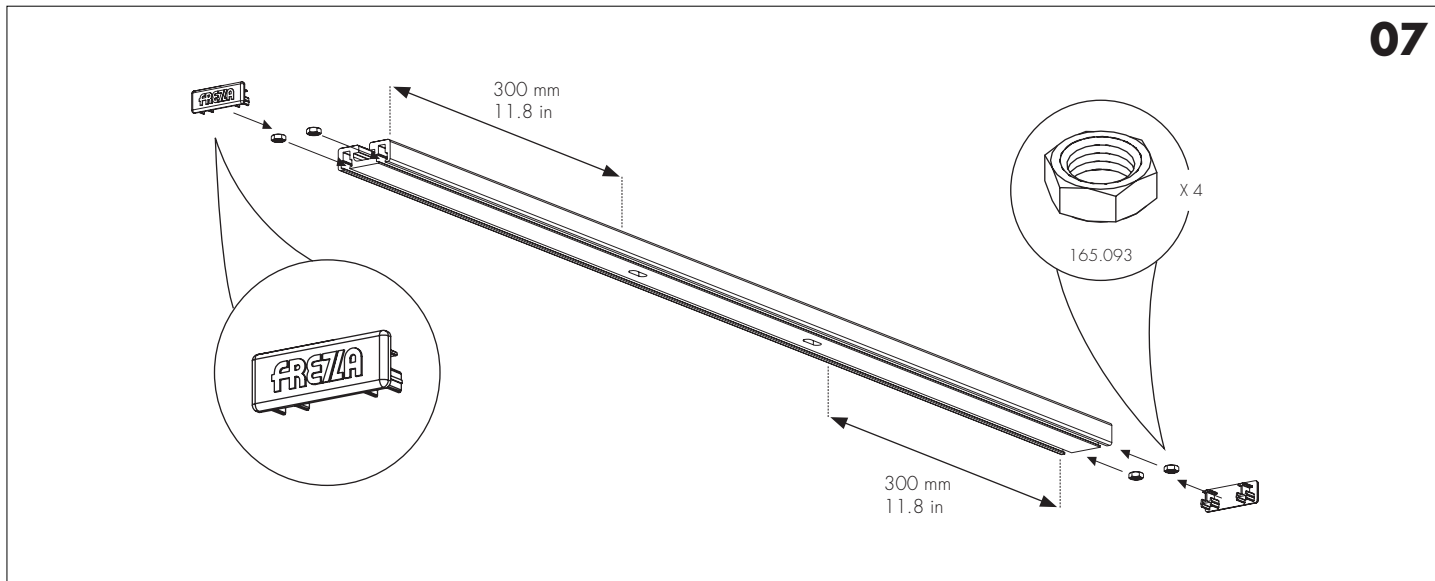
FREZZA



pop easy/square - Bench

FREZZA[®]

07



08

